



# Integrated Weed Screen Cleaner

HC Watercontrol has the pleasure of offering this unique and affective solution to the management and removal of weeds from the water course. This simple, yet affective design offers ease of operation. The structure is designed with minimum moving parts allowing for ease of maintenance and limiting down time of the screen.

The list of benefits of this design includes the life time costs, due to the limited maintenance required to keep the structure functional, these costs can be much lower than other tried and tested designs. The installation of this equipment is simple with no need to de-water at most sites saving on installation costs.

Put our services to the test; contact us for a free consultation today.

## SAFETY FIRST

The weedscreen cleaner is equipped with an emergency stop bottom on both sides of the structure.

## INTELLIGENT MATERIAL CHOICES

Constructed from a mixture of stainless steel and hot dipped galvanized steel, this screen offers long life and minimal maintenance. There is no need to lubricate any moving parts as a lifelong lubrication is applied in the factory.



## VERSATILE APPLICATION SYSTEMS

With width sizes starting at just 750mm this screen is versatile to your requirements.

FLAP VALVE

PENSTOCK

TILTING WEIR

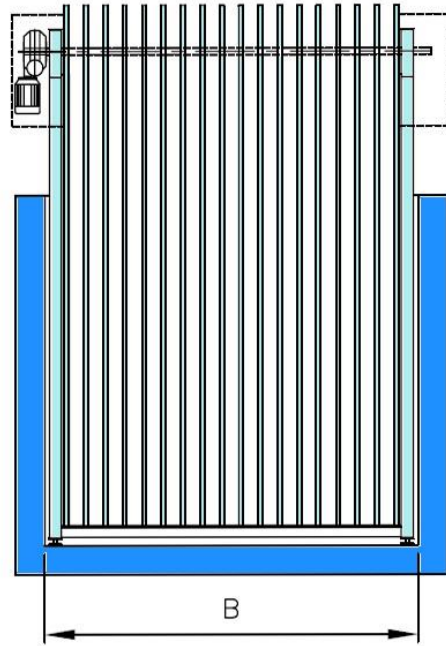
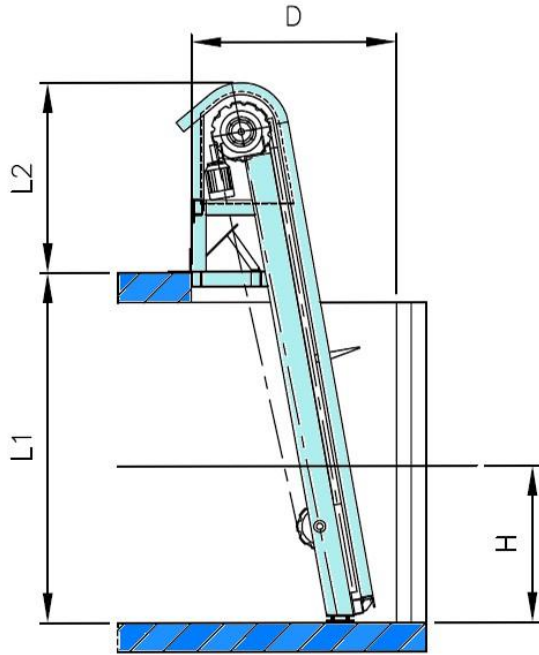
FISH PASS

STOP LOG



OLD GREAT NORTH ROAD, SUTTON ON TRENT, NEWARK NG23 6QS | P: 01326 823099 | PHIL EVANS: 07837 404774 | RICHARD WALKER: 07508 490190 |

WWW.HCWATERCONTROL.COM



## VERSATILITY WITH EASE

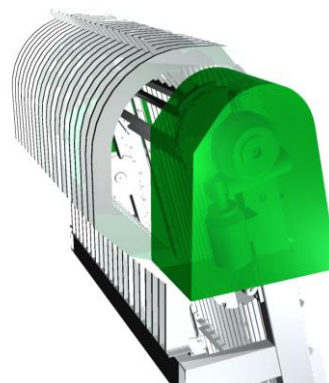
HC Watercontrol's weedscreen cleaner can be automated to activate a cleaning cycle with the operation of pumps, on a timer or through the use of telemetry and ultrasonic sensors.

To add to the versatility the screen can be set up to be operated manually on site or remotely from a control station.

The screen can be paired with a conveyer system to ease the disposal of collected debris

FRAME DIMENSIONS						TRASH RACK	
	L1	L2	H	B	D	C-C	SPACE
MIN	1200	1000	900	750	1250	80	65
MAX	5000	1500	~	4000	1500	130	100

- Frame ~ Steel, Hot dip galvanized
- Shaft ~ Stainless Steel
- Chain ~ Long link Stainless steel
- Gears ~ 1:200 or 1:300 electric motor
- Motor ~ Overload and Thermal protection



## INTEGRATION

The screens integrated design negates the need to purchase your weed cleaner and trash screen separately. Saving you total project costs. It also removes the manual element of removing weeds from the trash screen limiting the risks involved on site.

## A TEST OF TIME

The screens manufacturer has been developing and supplying within the water control industry for more than 110 years, receiving a Royal Seal of Approval.